

### 2030/2032 E-Max™ Automatic Tea Brewer (with Hot Water Faucet)

Sometimes, good just isn't good enough. That's why we've spent a ton of time developing what we truly believe is the market's finest tea machine. Introducing the E-Max Tea Brewer. Now you can dispense the perfect tea, time after time, efficiently and effortlessly. The Tea Brewer uses our Precise Temperature Brewing™ control, which means your water always maintains safe brewing temperature, so bacteria stays away. You can also control exactly how much water you need and how long you want it to steep, allowing you to brew various teas and weights. And with a standard brew tank capacity of more than 2 gallons, you'll be prepared for those high demand days. The Bloomfield Tea Brewer, better tasting tea starts here.

#### Features

- **Programmable pre-infusion and water pulsation** provide even more custom control of the extraction process.
- **Separate programmable hot water bypass system** allows you to match your tea taste profile.
- **The external bypass system** blends the diverted cold water immediately with the tea concentrate from the brew chamber.
- **Precise brewing temperature** is established and maintained throughout the brew cycle, providing cold brew lockout and ensuring full flavored tea with faster brewer recovery.
- **Superior sprayhead design** spreads water over the tea grounds, creating agitation and a floating action that completely saturates the tea to capture the full, rich essence.
- Accommodates **both 3 and 5 gallon dispensers** (not included) with the ability for loose leaf or pillow pack brewing.
- **Key brewer statistics** such as water volume, brew count, diagnostic messaging and brew time countdowns can be monitored through the LCD display.
- **Custom on-screen programming and electronic controls** using the LCD and external keypad allow precise programming of temperature, volume and timing without removing panels.
- Additional timer feature allows **programmable startup and shutdown** for additional energy and operations savings.



**Model 2030**  
shown with  
optional 8799

- **Self-diagnostics** with fault detection messages on display help trouble shoot system for service.
- A high level of **commonality of parts** with E-Max decanter brewers will significantly reduce the inventory of spare parts required to service many body styles.
- **Keypad lock** deactivates keypad, protecting the brew settings and commands when used in a self-service application.
- **Battery back-up** is an integral part of the control and protects clock and program setting in case of power failure.
- **After Hours Mode™** will automatically reduce water temperature when not in use, saving energy and increasing component life.
- **Unique water valve** with built-in flow control assures consistent operation at 20-80 p.s.i.
- Easy to clean **stainless steel brew chamber** has precise flow orifice to provide proper steep time for optimal tea brewing.
- **Wire grid** in stainless steel brew chamber suspends tea above orifice to prevent clogging.
- **Rugged base** assures stability and strength and provides easy placement of dispenser.

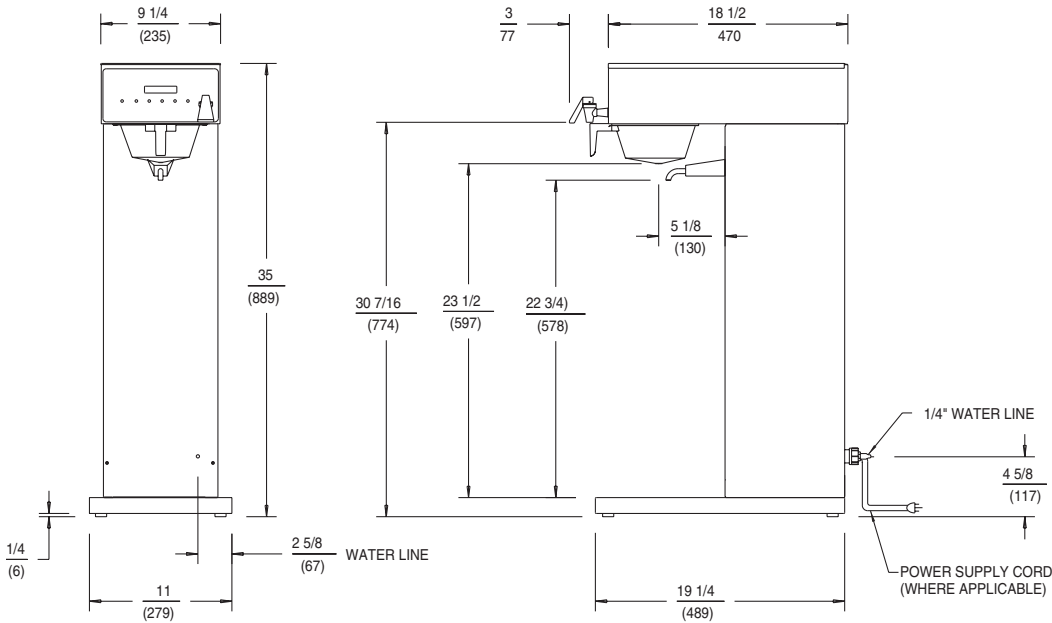
# BLOOMFIELD

**MODELS**  
**2030, 2032**



E9253    STD 4    E9253

**DIMENSIONS:**    INCH  
                              (MM)



**SPECIFICATIONS:**

MODELS	WATTS	VOLTS	AMPS	PHASE	POWER SUPPLY CORD
2030	1800	120	15.0	SINGLE	NEMA 5-15P
🇨🇦 2030CA	1500	120	12.5	SINGLE	NEMA 5-15P
2032	3200	120/240 4 WIRE	13.3	SINGLE	NONE

🇨🇦 Meets Canadian standards.

**NOTE:** Specifications are subject to change without notice and are not intended for installation purposes. See operation and maintenance manual for complete instructions.

**ACCESSORIES:**



**BLOOMFIELD INDUSTRIES**  
2 ERIK CIRCLE, PO BOX 280, VERDI, NV 89439 U.S.A.  
(888) 356-5362 • FAX (800) 356-5142 • [www.wellsbloomfield.com](http://www.wellsbloomfield.com)  
Export: (775) 345-0444 • (775) 345-8232  
5850 KEATON CRESCENT, MIFAX SSISSAUGA, ONTARIO L5R 3K2 CANADA  
(905) 507-1700 • FAX (905) 507-1777 • [www.bloomcan.com](http://www.bloomcan.com)  
©2001 BLOOMFIELD INDUSTRIES • PRINTED IN THE U.S.A.  
7/01 • REV (B) • PART NO. 74088

