

### 2072/2074 E-Max™ Three Station Stepped-Right Automatic Coffee Brewer

The Bloomfield E-Max™, a better way to brew exceptional coffee. Efficient, reliable and easy to use. The E-Max gives you complete brewing control. Using patented technology, the E-Max maintains temperatures to within 1°F, delivering great-tasting coffee cup after cup. With just the keypad and LCD display, you can program any setting, including specific brew cycles, volume, temperature and on-off times. Monitoring is just as easy. The E-Max can display brew count, water volume, the current time and date, even fault detection messages. The Bloomfield E-Max, it's an effortless way to brew extraordinary coffee.

#### Features

- **Custom on-screen programming and electronic controls** using the LCD and external keypad allow precise programming of temperature, volume and timing without removing panels.
- **Programmable pre-infusion and water pulsation** provide even more custom control of the extraction process.
- **Key brewer statistics** such as water volume, brew count, diagnostic messaging and brew time countdowns can be monitored through the LCD display.
- **Up to four brew settings** can be independently programmed to easily accommodate demand fluctuations and brewing variables.
- Additional timer feature allows **programmable startup and shutdown** for additional energy and operations saving.
- **Self-diagnostics** with fault detection messages on display help trouble shoot system for service.
- A high level of **commonality of parts** with E-Max and E-Max LX brewers will significantly reduce the inventory of spare parts required to service many body styles.



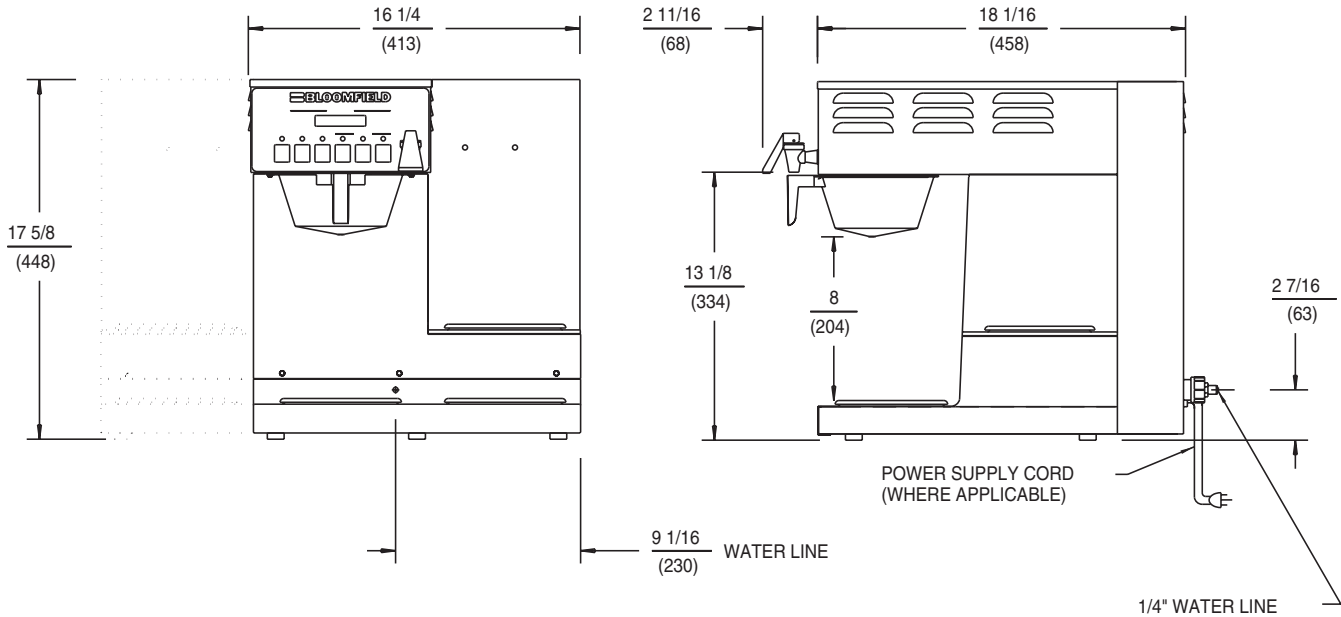
- **Countdown Quality Timer™** will signal the end of approved coffee holding time.
- **Keypad lock** deactivates keypad, protecting the brew settings and commands when used in a self-service application.
- **Battery back-up** is an integral part of the control and protects clock and program settings in case of power failure.
- **Precise brewing temperature** is established and maintained throughout the brew cycle for full flavored coffee every time and faster brewer recovery.
- **After Hours Mode™** will automatically reduce water temperature when not in use, saving energy and increasing component life.
- **Brew Cycle Timer** eliminates the risk of double brewing during brew cycle.
- **Liquid level sensor and brew valve** perform consistently with low or fluctuating water pressures.
- **Independent front-mounted hot water faucet** allows drawing of hot water without affecting coffee taste or brewing cycle.
- **Larger capacity tank** assures consistent water temperature for brewing as well as a plentiful supply of hot water from the independent front-mounted hot water faucet.

# BLOOMFIELD

**MODELS**  
**2072, 2074**



**DIMENSIONS:** INCH  
(MM)



**SPECIFICATIONS:**

MODELS	WATTS	VOLTS	AMPS	PHASE	POWER SUPPLY CORD
2072	1800	120	15.0	SINGLE	NEMA 5-15P
🇨🇦 2072CA	1500	120	12.5	SINGLE	NEMA 5-15P
*2074	3500	120/240	14.5	SINGLE	NONE

🇨🇦 Meets Canadian standards. \* Also meets Canadian standards.

**NOTE:** Specifications are subject to change without notice and are not intended for installation purposes. See operation and maintenance manual for complete instructions.

**ACCESSORIES:** See the Bloomfield Brew Brew product catalog for a complete listing of brewers and accessories.



**BLOOMFIELD INDUSTRIES**  
2 ERIK CIRCLE, PO BOX 280, VERDI, NV 89439 U.S.A.  
(888) 356-5362 • FAX (800) 356-5142 • www.wells-mfg.com  
Export: (775) 345-0444 • FAX (775) 345-8232  
5850 KEATON CRESCENT, MISSISSAUGA, ONTARIO L5R 3K2 CANADA  
(905) 507-1700 • FAX (905) 507-1777 • www.bloomcan.com  
©2002 BLOOMFIELD INDUSTRIES • PRINTED IN THE U.S.A.  
02/02 • REV (B) • PART NO. 73791

