



Varislicer™

Key Features:

- Allows you to offer your bakery customers a choice of bread thickness – quickly, easily, and efficiently
- Creates excitement, generates traffic, and boosts sales, all without increasing labor costs
- Easily cuts European and crusty breads to any of eight thicknesses – 3/8” to 1-1/2”
- Accommodates a wide variety of bread types and sizes – up to 15-1/2” long and 10” round
- Bagging options available
- Utilizes innovative blade moving arm technology
- Engineered for reliability and maintenance-free operation: welded steel frame, stainless steel and food-approved plastic contact parts



Oliver Packaging & Equipment Company
 511 Sixth Street NW • Grand Rapids, MI 49504
 (800) 253-3893 • (616) 356-2950 • www.oliverquality.com



Manufactured in the U.S.A.



Varislicer™

SPECIFICATIONS:

Electrics:

3/4 H.P., single phase, 60Hz, 115 VAC, 13 AMPS.
Requires a 20 AMP dedicated circuit

Capacities:

Processes loaves up to 4-1/2" (114mm) X 10"
(254mm) X 15-1/2" (394mm) long

Note: Not intended for use with warm, sticky, nut or fruit breads

Cord and Plug:

7 foot (2.1m) 3-wire cord with grounding plug standard

Finish:

Durable bakery-white powder coat finish is wear resistant and easy to clean; tables, blade, and all other contact parts are stainless steel

Shipping Weight:

375 lbs. (170kg)

Net Weight:

338 lbs. (153 kg)

Height:

28-1/2" (724mm) / 37-3/4" (959 mm) with blade guard open

Width:

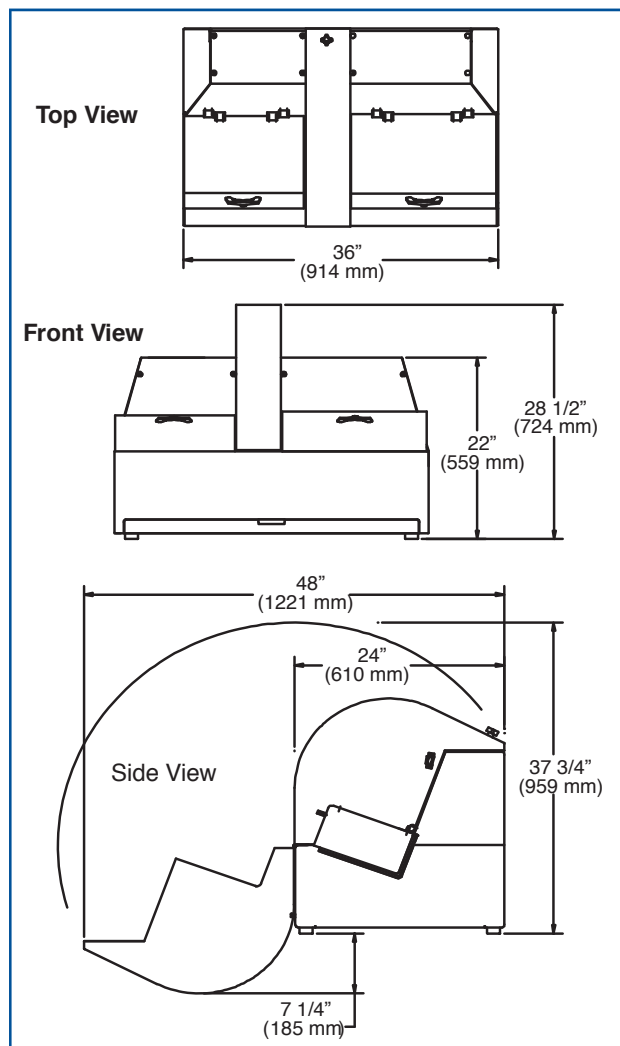
36" (914mm)

Depth:

24" (610mm) / 48" (1221mm) with blade guard open

Optional:

Front or side mounted bagging scoops



Manufactured under one or more of the following:
 U.S. Patent # 4,856,398 U.S. Patent # 4,759,168
 U.S. Patent # Des. 310,933 U.S. Patent # 5,243,921
 U.S. Patent # 5,461,956 U.S. Patent # 4,662,257
 U.S. Patent # 4,296,589 U.S. Patent # 4,196,561
 U.S. Patent # 4,194,341 U.S. Patent # 4,141,196
 U.S. Patent # 6,123,004 Other U.S. and foreign patents pending.

The information contained herein is correct to the best of our knowledge. The recommendations or suggestions are made without guarantee or representation as to results. Freedom from any patent owned by Oliver Packaging and Equipment or other is not to be inferred.

Above specifications subject to change without notice

Manufactured in the U.S.A.



Oliver Packaging & Equipment Company
 511 Sixth Street NW • Grand Rapids, MI 49504
 (800) 253-3893 • (616) 356-2950 • www.oliverquality.com